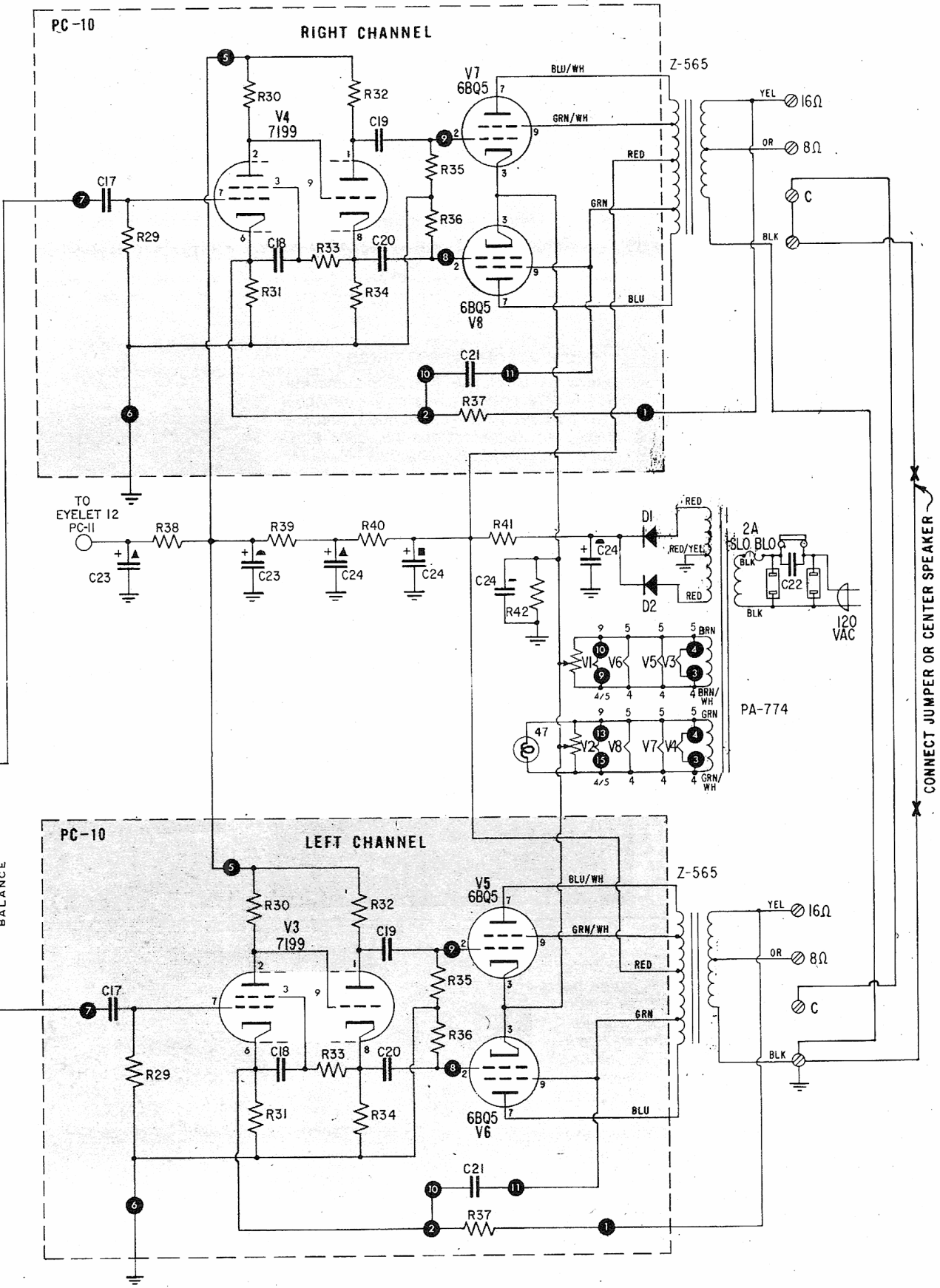
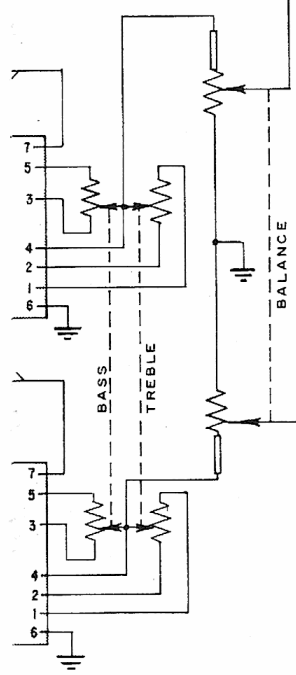


SCHEMATIC DIAGRAM

- Silicon rectifier, 500 ma, 1000 PIV
- Silicon rectifier, 500 ma, 1000 PIV
- control—250,000 ohms
- control—750,000 ohms
- control—2 megohms
- control—500,000 ohms
- control—1,000 ohms
- 12AX7/ECC-83
- 12AX7/ECC-83
- 7199
- 7199
- 6BQ5/EL-84
- 6BQ5/EL-84
- 6BQ5/EL-84
- 6BQ5/EL-84

6	7	8	9
105	0	.25	
.7	0	70	55
0*	360	0*	365

CTIONS, THEREFORE HAVE VOLTAGES AP-



Dynakit SCA-35 Stereo-Verstärker