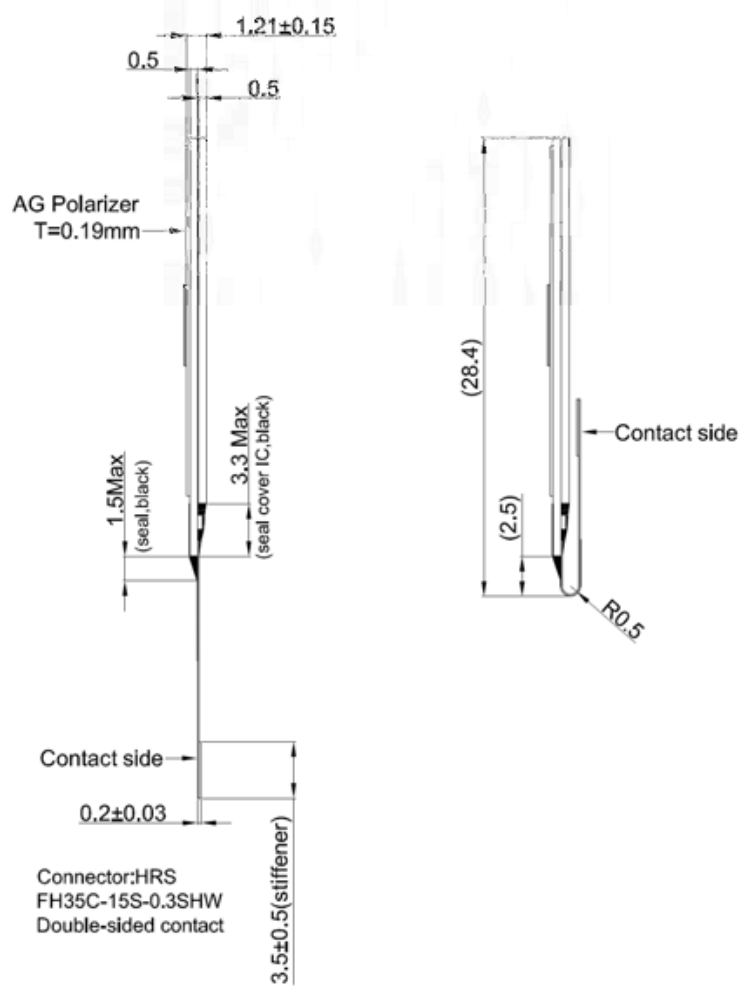
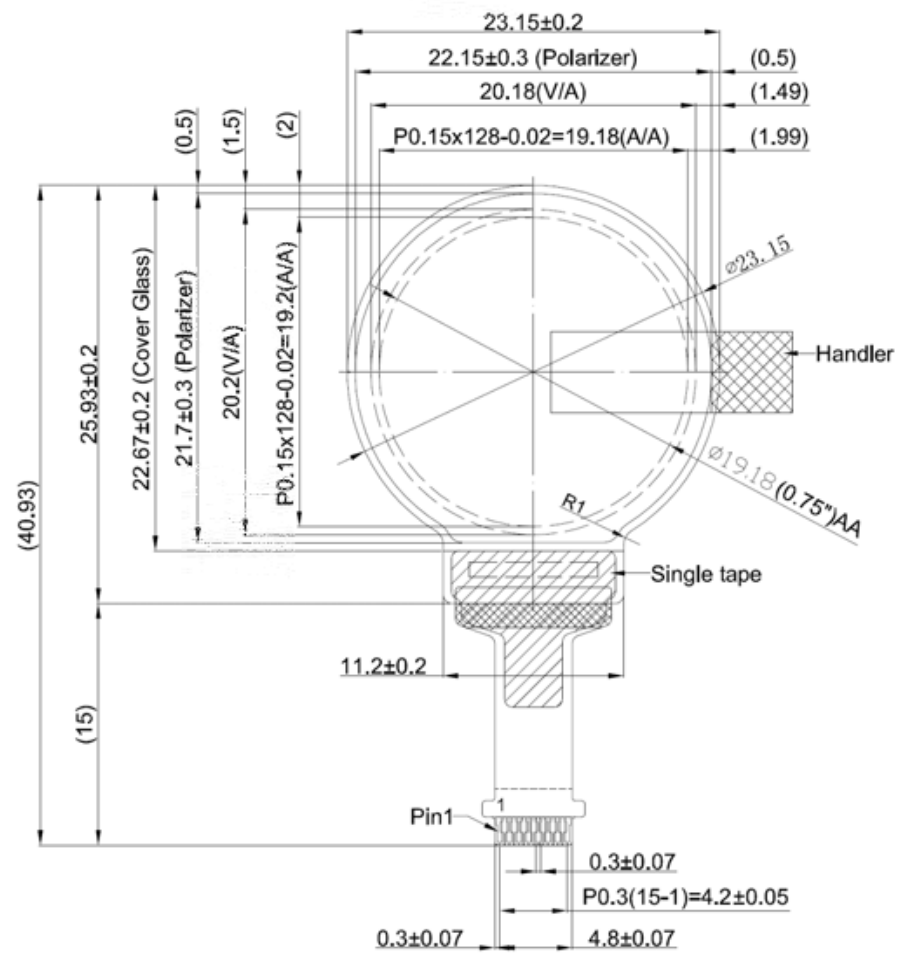
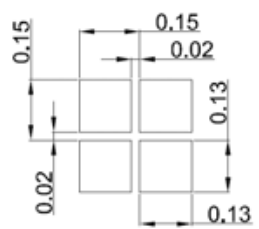


Revision	Date	Note
01	2015/08/24	PSR1500018-EPR1500086A-R01



- Specification**
1. Display: OLED(White)
 2. Dot Matrix: 128x128
 3. Dot Size: 0.13x0.13mm
 4. Dot Pitch: 0.15x0.15mm
 5. Aperture Rate: 75%
 6. Active Area: D=19.18mm
 7. IC: SSD1327Z



Pin Assignment	
NO.	SYMBOL
1	VSS
2	VCC
3	VDD
4	BS1
5	VSS
6	IREF
7	CS#
8	RES#
9	D/C#
10	D0
11	D1
12	D2
13	VCI
14	VCOMH
15	VCC

General Tolerance		CONFIDENTIAL		Scale	Unit	Sheet	PROJECT CODE		
Length (mm)	Tolerance(mm)			2:1	mm	1/1	PART NAME		
0 ~ 8	±0.1			Module		Spec.	Approved	Module Ass'y	
8 ~ 25	±0.2			Valerie Lo		David Li	Irene Fan	David Li	REVISION
25 ~ 50	±0.3	Song Huang		David Li	Irene Fan	David Li	REVISION		
							PARTS NO.		01