

LM703L Low Power Drain RF/IF Amplifier

REFERENCE TABLE

Code	Stock No.
LM703LH	19682D
LM703LN	31132G

GENERAL DESCRIPTION

The LM703L is a monolithic RF-IF amplifier, having an efficient DC biasing system, reducing demands upon power supply and decoupling elements. Its low internal feedback guarantees a high stability-limited gain.

FEATURES

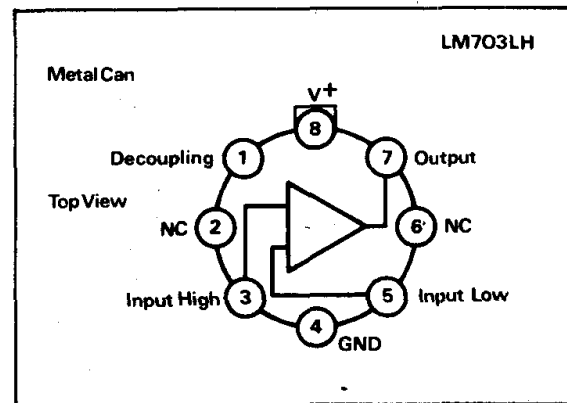
- Power consumption 84mW (maximum).
- Forward transadmittance 33 mmhos.
- Input conductance 0.35 mmhos.
- Output conductance 0.03 mmhos.
- Peak-to-peak output current 5.0mA

Applications include limiting and non-limiting amplifiers, mixers, and RF oscillators. The LM703L is specifically characterized for operation in consumer applications such as TV sound IF, FM-IF limiter amplifier, and Chroma reference oscillator for colour TV.

ABSOLUTE MAXIMUM RATINGS

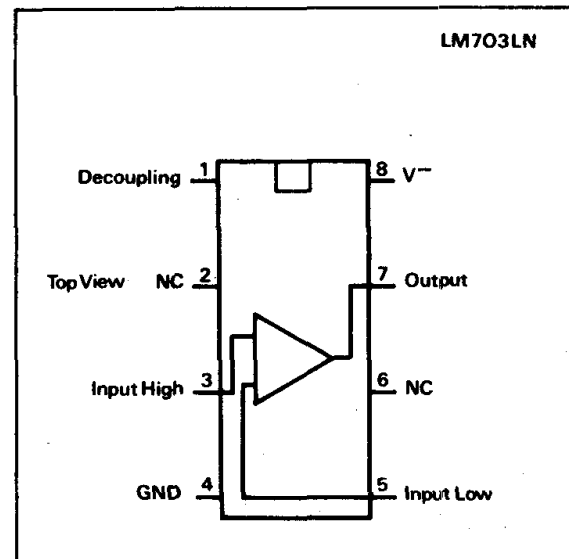
Supply voltage	20V
Output collector voltage	24V
Voltage between input terminals	$\pm 5.0V$
Internal power dissipation	200mW
Operating temperature range	0°C to 70°C
Storage temperature range	-65°C to 150°C
Lead temperature (soldering, 60 sec)	300°C

CONNECTION DIAGRAM



See outline drawing No. 97 for dimensions.

CONNECTION DIAGRAM



See outline drawing No. 103 for dimensions.

MANUFACTURER'S CURRENT LIST PRICES ARE ALWAYS CHARGED